

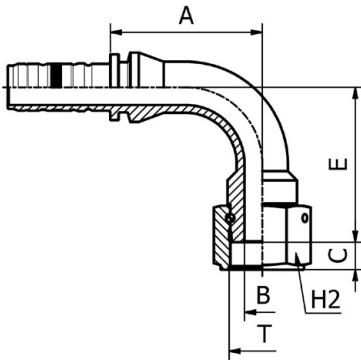
SAE STANDARD CONNECTIONS

M82442

45° ORFS
FEMALE SWEPT ELBOW SAE
J516 / ISO 12151-1

PART. REF.	HOSE BORE			Thread	DIMENSIONS mm						
	DN	Dash	inch		T	B	A	C	E	H2	
M82442-12-12	19	- 12	3/4"	1.3/16" - 12	14.5	90.0	14.1	36.0	36.0		
M82442-12-16	19	- 12	3/4"	1.7/16" - 12	19.5	90.5	15.0	36.5	46.0		
M82442-16-16	25	- 16	1"	1.7/16" - 12	19.5	101.0	15.0	42.5	46.0		
M82442-20-20	31	- 20	1.1/4"	1.11/16" - 12	25.0	120.0	15.1	49.5	55.0		
M82442-24-24	38	- 24	1.1/2"	2" - 12	32.0	123.5	15.0	50.5	60.0		

FITTINGS 232

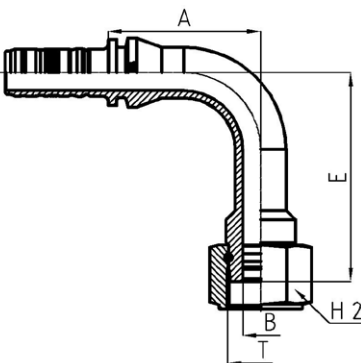


SAE STANDARD CONNECTIONS

M82492

90° ORFS
FEMALE SWEPT ELBOW
SAE J516 / ISO 12151-1

PART. REF.	HOSE BORE			Thread	DIMENSIONS mm						
	DN	Dash	inch		T	B	A	C	E	H2	
M82492-12-12	19	- 12	3/4"	1.3/16" - 12	14.5	73.5	14.1	70.5	36.0		
M82492-12-16	19	- 12	3/4"	1.7/16" - 12	19.5	86.0	15.0	71.0	46.0		
M82492-16-12	25	- 16	1"	1.3/16" - 12	14.5	89.5	14.1	70.5	36.0		
M82492-16-16	25	- 16	1"	1.7/16" - 12	19.5	83.0	15.0	84.5	46.0		
M82492-20-20	31	- 20	1.1/4"	1.11/16" - 12	25.0	99.0	15.1	98.0	55.0		
M82492-24-24	38	- 24	1.1/2"	2" - 12	32.0	105.0	15.0	104.0	60.0		



SAE STANDARD CONNECTIONS

M84492

90° ORFS
FEMALE LONG DROP ELBOW
SAE J516 / ISO 12151-1
(THURST- WIRE NUT)

PART. REF.	HOSE BORE			Thread	DIMENSIONS mm						
	DN	Dash	inch		T	B	A	C	E	H2	
M84492-12-12	19	- 12	3/4"	1.3/16" - 12	14.5	73.5	14.1	96.0	36.0		
M84492-16-16	25	- 16	1"	1.7/16" - 12	19.5	83.0	15.0	114.0	46.0		
M84492-20-20	31	- 20	1.1/4"	1.11/16" - 12	25.0	99.0	15.1	129.0	55.0		